

Part number

CHI 06 LC



Brief description:

bulkhead mounting housings with single lever, size "44.27", metal version, IP66



Product description

Version	metal version
Series	Bulkhead housings, with 2 pegs
Product type	with 2 pegs and gasket
Family	CLASS enclosures
Size	size "44.27"

Technical data

Material	metal
IP degree of protection	IP66 (and IP69K DIN 40050 - 9)

Further technical details

Weight	58,00 g
---------------	---------

Approvals / Standards

Quality mark	UL (type:4/4X/12), CE, EAC
Conformity	CQC, CE

General ordering information

EAN13 code	8015747101592
Tariff number	85369095

Packaging Information

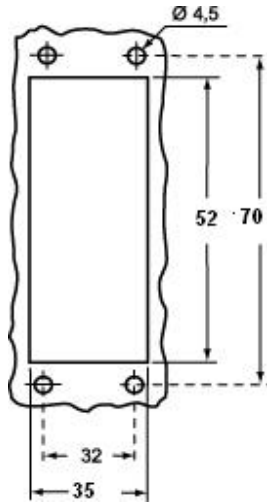
Packaging length	150,00 mm
Packaging height	125,00 mm
Packaging width	225,00 mm
Packaging weight	1,16 kg
Packaging volume	4,22 dm ³
Packaging description	Carton box
Packaging quantity	20 Pcs
Packaging EAN code	8015747101875
Sub-packaging weight	0,29 kg
Sub-packaging description	Carton Box
Sub-packaging quantity	5 Pcs
Sub-packaging EAN barcode	8015747101882

Part number

CHI 06 LC

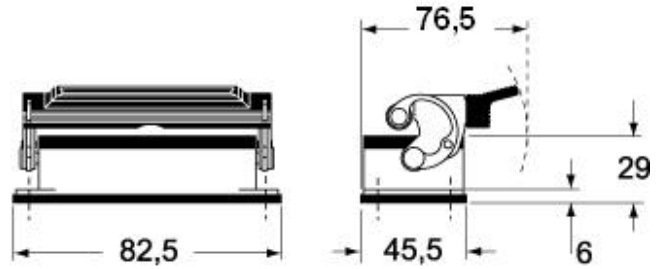


Catalogue drawings

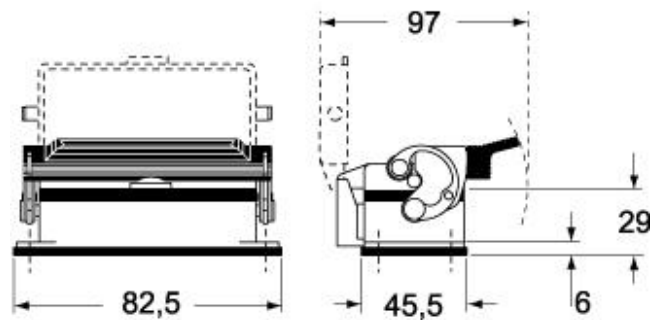


Catalogue drawings

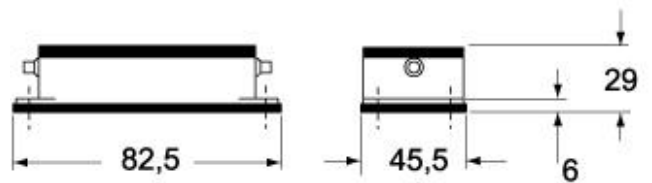
CHI L



CHI LS



CHI LC



CHI LCS/LCP

